



匯統國際股份有限公司
Huey Tung International Co., Ltd.

產品規格書 Specification

[Model : HT-C3434B42F4-600/ 2007.04.23 version]



Cara Audio Corporation

No.69, Lane 762, Dingzhong Road, Sanmin District, Kaohsiung City, Taiwan, ROC.


Tel: 886-7-310 5786 / Fax: 886-7-310 0783

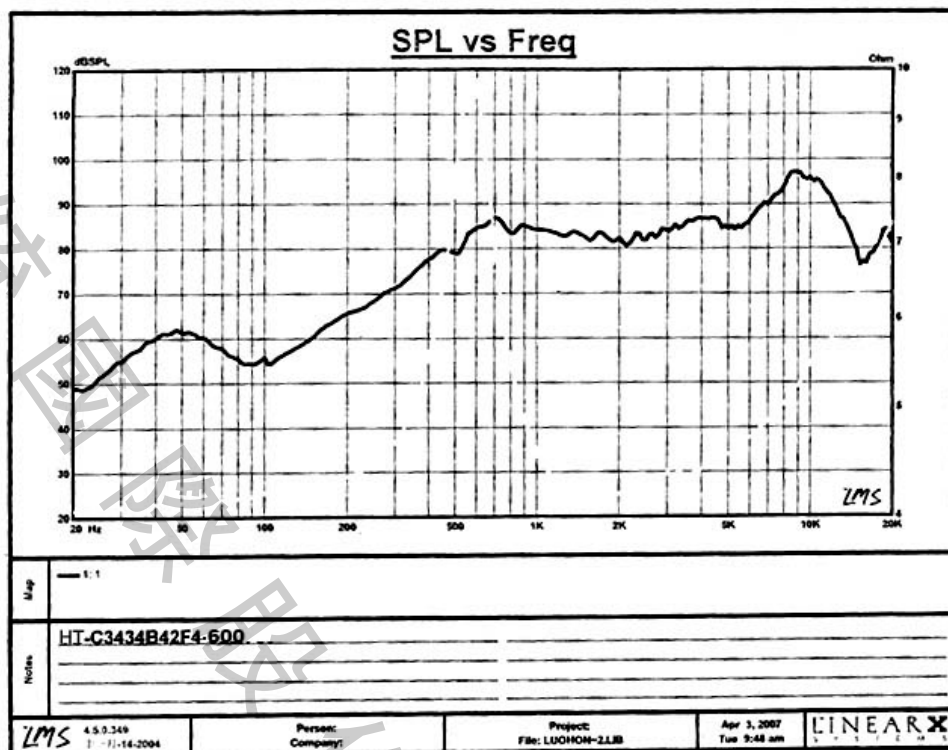
E-mail: carawang@hueytung.com.tw / <http://www.hueytung.com.tw>

揚聲器製品規格書

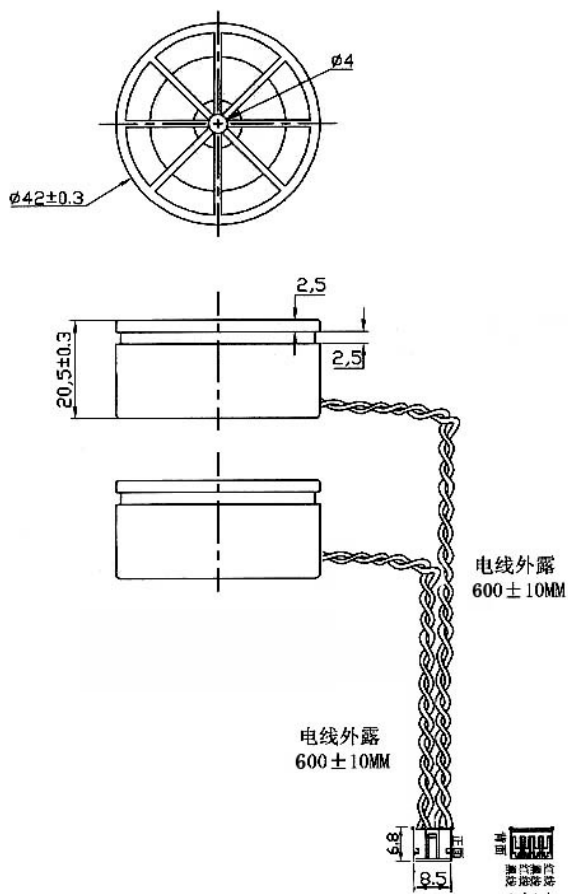
SPEAKER SPECIFICATION

型號 Model Number: HT-C3434B42F4-600 (7121)

項目 Items		規格 Specification		
1	公称阻抗 Nominal Impedance	4Ω±15% at 1000 Hz 1.0V		
2	最低共振周波数 Lowest Resonance Frequency	580Hz±20%Hz Without a baffle		
3	实效周波数带域 Effective Frequency Range	F0~15KHz -10dB		
4	出力音压 Output Sound Pressure Level	85dB±3dB 1W/0.5M at (600,800,1K,1.2K)Hz AVE.		
5	入力 Input	定格入力 Rated input 5 W	最大入力 Maximum input 7 W	
6	磁束密度 Flux Density	-----±10% GAUSS		
7	异常音试验电压 Buzz & Rattle Test	Must be normal at sine wave 4.47 V		
8	动作试验电压 Operation Test	Must be normal at program source 3.16 V		
9	极性 Polarity	左正極		
10	磁石尺寸/重量 Magnet Dimension/Weigh	Magnet: Φ19.5*4 Sub Magnet:	/G	
11	连续负荷试验 Life Test	PINKDIN45573 4.47V hours	After the Test, Speaker should be meet the Outside and item 7,8	
12	耐热试验 Heat Resistance	70°C±2°C 20%-25%RH 8Hours and then room temperature 1 hours		
13	耐湿试验 Humidity Resistance	40°C±2°C 90%-95%RH 8Hours and then room temperature 1 hours		
14	耐寒试验 Cold Resistance	-25°C±2°C 24Hours and then room temperature 1 hours		
15	落下试验 Drop Test	1M 75° ±2°		
16	绝缘耐压试验 Insulation Resistance	Or more 1MΩ 以上		
17	周波数特性 Frequency Response Curve	参照附图 On Other Drawing		
18	失真率 Distortion	Less than at W 1000Hz		
19	各部 材质	Cone Paper	Foam Edge	
		Voice Coil	KSV+CCAW 20.4Φ	
		Cap	/	
20	总重量 Total Weight	G		
	Size:42mm 試作發行: 2007.04.23	Approve: Arthur	Check: John	Design: LIU



成品圖及照片 Mechanical Dimensions : HT-C3434B42F4-600 (7121)



Tolerance: 0.5
Unit: mm